

Nominal data

| | | |
|--------------------------|-------------------|----------|
| Type | 7114 N | |
| Nominal voltage | VDC | 24 |
| Nominal voltage range | VDC | 12 .. 30 |
| Speed | min ⁻¹ | 2850 |
| Power input | W | 12.0 |
| Min. ambient temperature | °C | -25 |
| Max. ambient temperature | °C | 72 |
| Air flow | m ³ /h | 308 |
| Sound power level | B | 6.2 |
| Sound pressure level | dB(A) | 53 |

ml = Max. load · me = Max. efficiency · fa = Running at free air · cs = Customer specs · cu = Customer unit
Subject to alterations

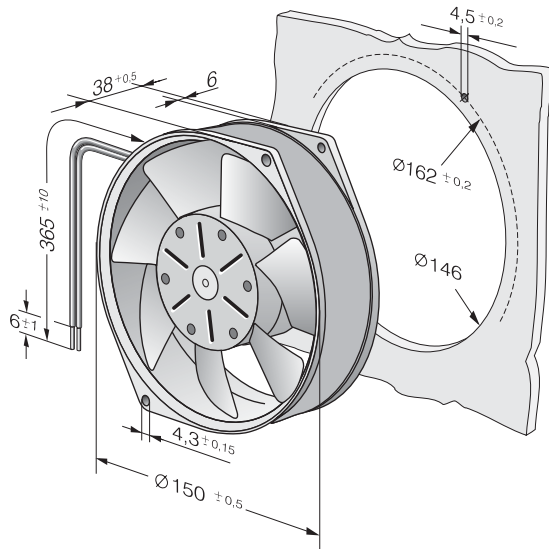
Technical features

| | |
|--|---|
| General description | * Free air power consumption, these values may be considerably higher at the operating point. |
| Mass | 0.620 kg |
| Dimensions | 150 Ø x 38 mm |
| Material of impeller | Sheet steel, coated in black |
| Housing material | Die-cast aluminium |
| Direction of air flow | Inlet over bars |
| Direction of rotation | Left, looking at rotor |
| Bearing | Ball bearings |
| Lifetime L10 at 40 °C | 80000 h |
| Lifetime L10 at maximum temperature | 37500 h |
| Connection line | Single strands AWG 22, TR 64, bared and tin-plated. |
| Motor protection | Protected against reverse polarity and locking. |
| Locked-rotor protection | Electronic blocking protection |
| Approval | VDE, CSA, UL, CE |
| Option | Speed signal |

7114 N

DC axial compact fan

Product drawing



Charts: Air flow

